



Description

PRINCO's model L2000 radio frequency (RF) point level controller is truly an outstanding value. It combines rugged construction, quick, easy installation and all the features you need for years of effective, accurate performance.

Operating on the RF impedance sensing principle, the L2000 will detect the presence (high level) or absence (low level) of a wide variety of materials. It may be made fail-safe in either high or low mode. It will operate in conjunction with process materials that range from low dielectric (insulating) products such as refined oils, to conductive slurries.

The L2000 incorporates Princo's user-oriented features - reliability, true coating cancellation capability, explosion-proof/weatherproof enclosures, RFI immunity, heavy duty relays, easy-on Teflon/316 SS probes and our unique 10-year warranty.

The L2000 has everything you need at a price no higher than the "also rans".

Princo, one of the pioneers of RF level sensing technology, has provided accurate, dependable, long lived service for thousands of applications in all types of industries, worldwide for more than 4 decades.

Applications

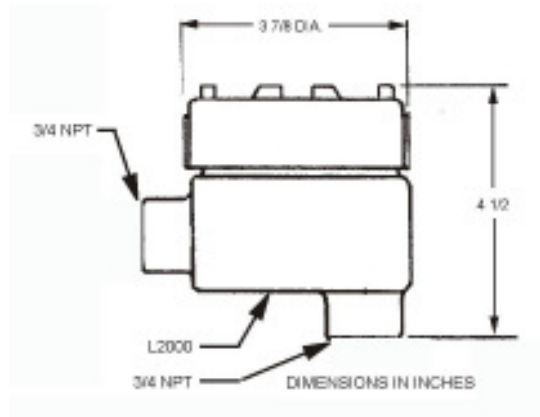
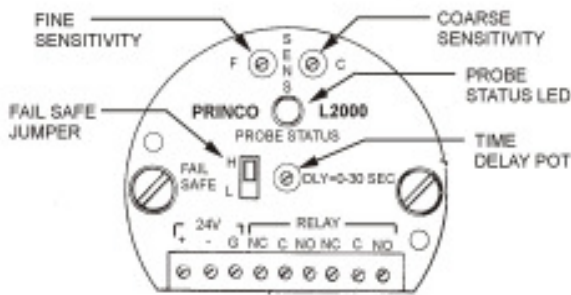
- Water-based liquids
- Acids
- Hydrocarbons and solvents
- Powders and granulars
- Oils

Features

- **Economical** – Low in cost, yet packed with all the features needed for accurate, dependable service.
- **NULL-KOTE™ Circuitry** – Negates effects of conductive coating build-up.
- **Designed to Survive** – RF immune, vibration-proof, all circuit boards are conformally coated (tropicalized) for extra protection.
- **Easy-On Probe Connection** – Automatically provides simple, fast installation and reliable operation without wires, connectors, or terminal strips. Simply screw probe into the housing.
- **Unique Status Indicator** – Red / green LED shows presence or absence of material and also indicates power "on".
- **Heavy Duty Relay** – 2 sets of form C contacts rated at 5A, 115 Vac resistive contacts
- **High or Low Fail-Safe** – Field selectable.
- **Heavy-Duty Cast Aluminum Housing** – Weatherproof: NEMA 4
- **Wide Temperature Range** – Standard process temperature: -300 to 500°F (-184 to 260°C).
- **ROLLOCK™ PROBES** – No part of the probe can fall into the process or be blown from the mounting. No re-tightening of seals required.
- **Time-Delay** – 0 to 30 second delay minimizes relay chatter
- **Ten-Year Warranty** – The only level instruments available with this unique assurance of quality.

L2000 Specifications

TYPE	Point type (on/off), solid state electronic, RF impedance-sensing, level controller.
POWER REQUIREMENTS	95 to 135 Vac, 50 to 60Hz or 205 to 250 Vac, 1.3 watts; or 17/34 Vdc, <1 Watt.
AMBIENT TEMPERATURE	-40 to 150 °F (-40 to 66 °C)
SENSITIVITY	Senses capacitance as low as 0.5pF. May be decreased to approximately 500pF.
TEMPERATURE STABILITY	Temperature coefficient of 0.025pF/°F (4.75pF over ambient temperature range).
ALARM TYPE	Selectable as either High Acting or Low Acting.
ALARM ACTION	Fail Safe Alarm : Control relay de-energizes (drops out) upon alarm.
CONTROL RELAY CONTACTS	Two sets of form C contacts, rated at 5 amperes, 115 Vac or 26 Vdc, resistive load.
TIME DELAY	Adjustable from 0 to 30 seconds. Standard mode is delay alarm both on and off. Consult the factory for optional times and modes.
ELECTRONIC HOUSING	Heavy duty, cast aluminum. Weather proof: NEMA 4.

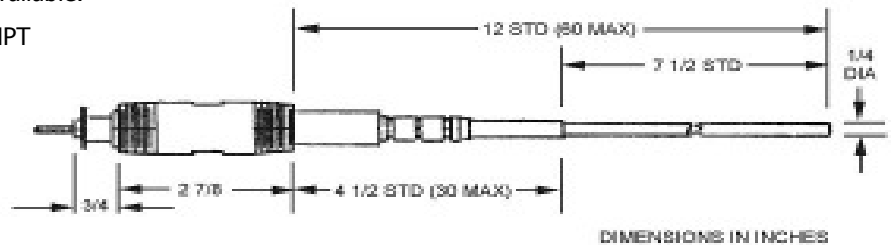


NULL-Kote Level Probes

Model L842, L843 and L844 probes are three element devices, which employ a bare sensor rod, guard section, and NPT mounting hub. All wetted parts are type 316 stainless steel or Teflon®. The elements are insulated from each other by Teflon®. L800 Series point level probes use PRINCO's unique ROLLOCK™ construction. Featuring rolled seals and welded assembly, the ingenious ROLLOCK™ design locks all elements of the probe in position and insures that no part of the probe can fall into the process or be blown from the mounting.

L840 Series Probe Specifications

TYPE	Point level, single or dual element.
WETTED SURFACES	Teflon and 316 Stainless Steel are standard. Probes fully sheathed in Teflon or Kynar are also available.
VESSEL CONNECTION SIZE	3/4" NPT
PRESSURE / TEMPERATURE RATINGS	
PSI	Temp (°F)
1000	@ -300
1000	@ 100
450	@ 300
350	@ 400
0	@ 500



Standard L843 Probe

10 Year Warranty

All PRINCO RF impedance level control instruments are backed by a 10-year warranty. PRINCO will repair or replace, at our option, any instrument that fails under normal use up to 10 years after purchase.